

Style Choice

SuperSlat steel fencing & gates



Photograph Jeff Matthews

Colorbond[®]

1300 BUY STEEL
fnw.com.au

BRISBANE | TOOWOOMBA | INVERELL | GRAFTON

The Steeline FNW Style Choice Edge

Steeline FNW specialise in manufacturing custom made genuine Colorbond® Slat fences that are fit for purpose, no matter if you are a home owner, business owner or tradie. Our highly experienced team can work with you to devise the best solution for your needs.

Our Style Choice SuperSlat fencing products are designed for easy do-it-yourself installation and are manufactured in-house at our Brisbane and Toowoomba facilities, made from genuine Colorbond® steel with a wide range of colours and sizes.



Why Choose Steeline FNW Slats

Steeline FNW SuperSlat Fences & Gates are ideal for letting through light and airflow while still providing privacy, they are suitable as a stand-alone screen or as an infill to bricks, posts and rendered walls.

Steeline FNW Slats can be used as a stylish feature panel on carports, patios and with other Style Choice products to customize the appearance and functionality of your fence, eg on top of an existing Style Choice Colorbond® fence.

Not only are our Slat systems ideal for covering unsightly household items, such as bins, pool pumps, and hot water systems, they are covered by BlueScope's 10-year colorbond® steel guarantee.

Slat Gates

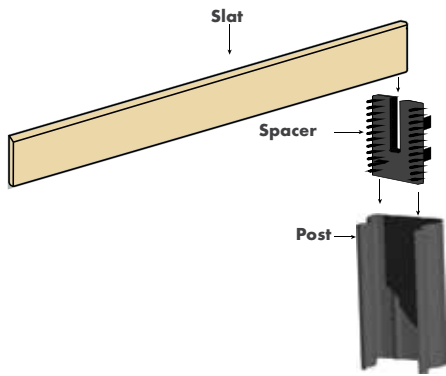
Due to product limitations, SuperSlat cannot be used to manufacture gates. However, we use our 70x12mm Frontier Aluminium gate format which has the same dimensions as the 70x12mm SuperSlat.

Milled right here in Brisbane, with a strengthening web through the extrusion it is mated with a 50x50 fully welded frame and powder coated to finish. Side-by-side, the SuperSlat fence and Frontier Gate provide a seamless look.

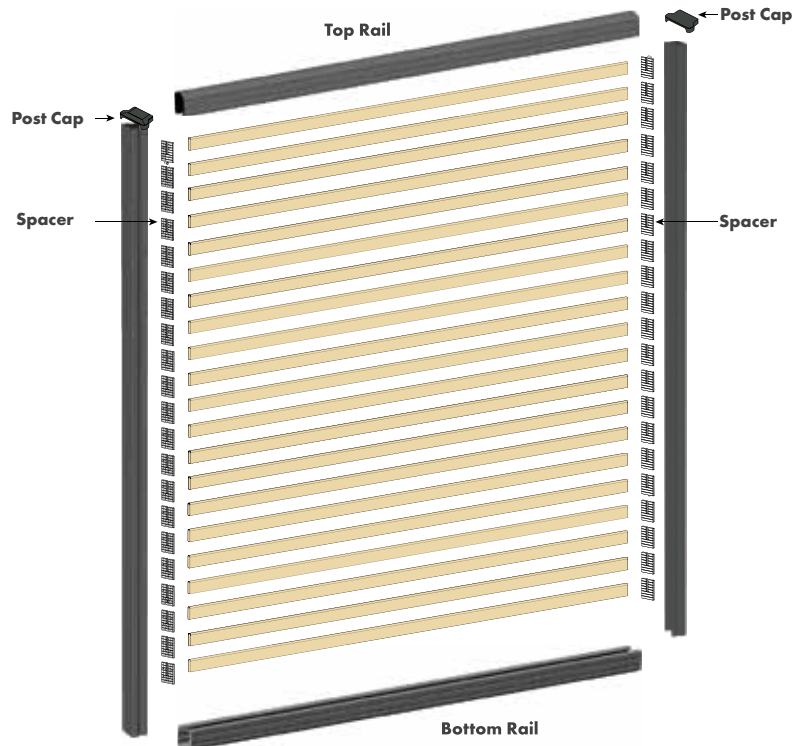
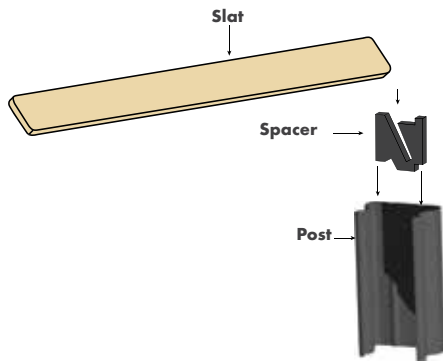


*Warranty subject to exclusions, application and eligibility criteria. For full terms and conditions and to determine the eligibility of your fence for the warranty visit bluescopesteel.com.au/warranties or call BlueScope on 1800 800 789. Warranties provided by BlueScope do not affect consumer rights under the Australian Consumer Law.

HOW TO FIT SLATS



HOW TO FIT LOUVRES



THINGS TO CONSIDER

SOIL TYPE

Soil type can effect the depth of hole needed to secure your new fence safely, this will also effect the length of posts that are required.

SOIL TYPE	MINIMUM HOLE DEPTH	APPROXIMATE CONCRETE REQUIRED Recommended 20MPa Standard Concrete Mix
Rock	400mm	1 bag per hole (20kg bag)
Clay/Firm Earth	600mm	2 bags per hole (20kg bag)
Sand/Loose Fill	900mm	3 bags per hole (20kg bag)

WIND CONDITIONS

When selecting the right fence for your needs, think about how windy the area is. When putting a fence up in areas that have a lot of obstructions, there are different techniques to the installation that can help with the stability and vibration of the fence.

Talk with one of our fencing specialists today to discuss options for your install, but take note of the following

- How many houses are in the area
- How many trees are in the area and the height
- Any other large obstructions that could cause wind to be diverted.

HAVE YOU GOT WHAT YOU NEED?

Recommended equipment

- Self-drilling Screw Gun/Drill
- Spirit Level
- Aviation Snips or Nibbler
- Rubber Mallet
- String Line & Peg Markers
- Shovel/Spade
- Wheelbarrow
- Marker (Not lead pencil)
- Concrete
- Hacksaw
- Rivet Gun
- Post Hole Digger
- Tape Measure
- Safety Glasses
- Gloves
- Enclosed Footwear



COLOUR YOUR SLATS

Of all the elements of design, colour is the most powerful and personal. The COLORBOND® steel colour palette makes it easy to express yourself with colour. Steeline FNW provides you with a huge colour range to choose from which have been inspired by Australia's own magnificent backyard.



Colorbond®

The COLORBOND® steel colour swatches in this brochure have been reproduced to represent actual product colours as accurately as possible. However we recommend checking your chosen colour against an actual sample of the product before purchasing, as varying light conditions and limitations of the printing process may affect colour tones. COLORBOND® and ® colour names are registered trade marks of BlueScope Steel Limited. ™ colour names are trade marks of BlueScope Steel Limited. ABN 16 000 011 058. All rights reserved.

1300 BUY STEEL
fnw.com.au

BRISBANE

36-54 Badu Court
Meadowbrook QLD 4131

P: (07) 3200 8122
E: brisbane@fnw.com.au

TOOWOOMBA

300 Anzac Avenue
Harristown QLD 4350

P: (07) 4580 4244
E: toowoomba@fnw.com.au

INVERELL

84 Oliver Street
Inverell NSW 2360

P: (02) 6722 4593
E: inverell@fnw.com.au

GRAFTON

56 Through Street
South Grafton NSW 2460

P: (02) 5632 3055
E: grafton@fnw.com.au